

DENALI™

LAH.07.10900

AUXILIARY LIGHT MOUNT
BMW OEM CRASHBAR MOUNT ADAPTER

Thank you for choosing DENALI

We know you would rather be riding your bike than wrenching on it, so we go the extra mile to make sure our instructions are clear and as easy to understand as possible. If you have any questions, comments, or suggestions don't hesitate to give our gear experts a call at 401.360.2550 or visit DenaliElectronics.com

Please Read Before Installing

DENALI products should always be installed by a qualified motorcycle technician. If you are unsure of your ability to properly install a product, please have the product installed by your local motorcycle dealer. DENALI takes no responsibility for damages caused by improper installation. **Caution:** When installing electronics is it extremely important to pay close attention to how wires are routed, especially when mounting products to the front fender, front forks, or fairing of your motorcycle. Always be sure to turn the handlebars fully left, fully right, and fully compress the suspension to ensure the wires will not bind and have enough slack for your motorcycle to operate properly.

Installation Tips

We strongly recommend using medium strength liquid thread locker on all screws, nuts, and bolts. It is also important to ensure that all hardware is tightened to the proper torque specifications as listed in your owner's manual. For included accessory hardware please refer to the default torque specifications provided below. Inspect all hardware after the first 30 miles to ensure proper torque specifications are maintained.

Bolt Size	in-lbs	ft-lbs	Nm
M3	10.0 in-lbs	-	1.0 Nm
M4	23.0 in-lbs	-	2.5 Nm
M5	44.5 in-lbs	3.5 ft-lbs	5.0 Nm
M6	78.0 in-lbs	6.5 ft-lbs	9.0 Nm
M8	-	13.5 ft-lbs	18.0 Nm
M10	-	30.0 ft-lbs	41.0 Nm
M12	-	52.0 ft-lbs	71.0 Nm

Hardware Sizing Guide

Not sure what size bolt you have? Use this ruler to measure screws, bolts, spacers, etc. Remember, the length of a screw or bolt is measured from the start of the "mounting surface" to the end of the screw, so only include the screw head when measuring countersunk screws.

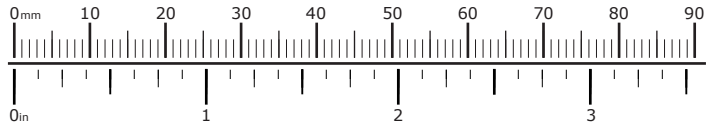


FIGURE 1

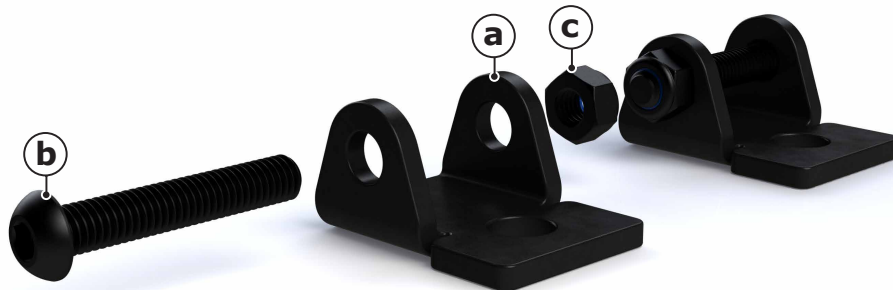


Illustration not to scale

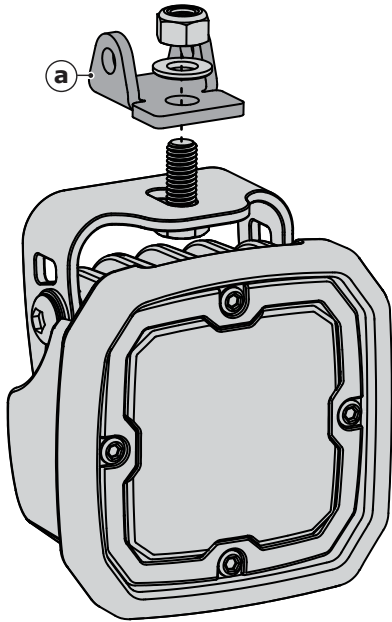
Kit Contents

- (a) Bracket.....Qty 2
- (b) M6x35 ISO 7380.....Qty 2
- (c) M6 Nut DIN 985.....Qty 2

Tools Required

- 4mm Allen Key
- 10mm Wrench
- 13mm Wrench

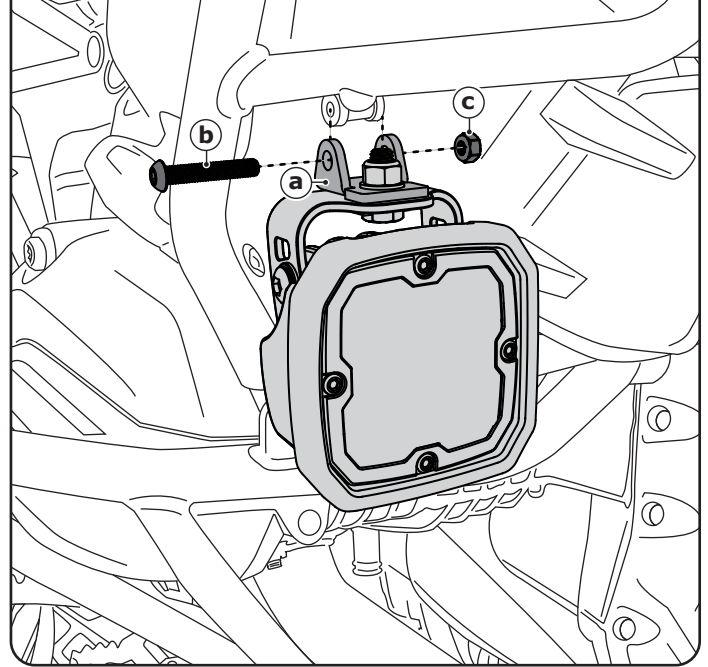
FIGURE 2



Installing The Adapter Bracket

Step One: Use a 13mm wrench and the M8 hardware included with your DENALI light pod to connect the Adapter Bracket (a) to the light pods hinge.

FIGURE 3



Mounting The Light

Step Two: Slide the Adapter Bracket (a) over the BMW OEM light mounting lug and use the included M6x35 Bolt (b) and M6 Nut (c) to secure in place.

Step Three: Once the light has been properly aimed, use a 4mm allen key and 10mm wrench to tighten the mounting hardware.

Step Four: Before operating the motorcycle, turn the handlebars fully left, fully right and

fully compress the suspension. Confirm that the lights do not interfere with operation and that the wires have enough slack to account for all suspension and steering movement.